

For additional information, see the accompanying data sheet for this power supply.

Ordering Information

OUTPUT VOLTAGE	OUTPUT CURRENT	LINE VOLTAGE	CHASSIS
1 24 VDC	A 1.5 amps	1 115 VAC	L Low height
2 12 VDC	B 3.0 amps	2 230 VAC	N Narrow width
3 5 VDC		3 24 VAC*	
4 Custom			

* Available with 1.5 amp output current only.

Dimensions

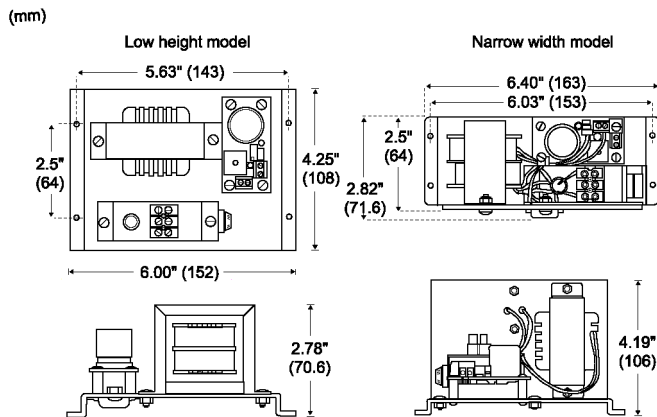


Figure 1. Power Supply Dimensions

Specifications

Output Voltage Range: 5.0 VDC to 25.0 VDC

Line Regulation: 0.01%/V

Load Regulation: 0.2% (no load to full load)

Current Limit: 130% rated current

Output Ripple: 2.0 mV pp maximum

Output Short Circuit: Indefinite

Weight: 1.5 amp = 3.0 lbs.; 3.0 amp = 2.5 lbs.

Thermal Overload: Internally protected

Inline Fuse: 3AG 1.0/2.0

Input Voltage: 90 - 130 VAC/208 - 240 VAC/24 - 29 VAC

Operating Temperature: -40°F to 120°F

Humidity: 90% non-condensing

Installation

Before Installation

- Read these instructions carefully. Failure to do so can result in damage or electrical shock.
- Inspect packaging for signs of damage. If damaged, notify the carrier immediately.
- Verify that power supply specifications are suitable for the particular application.
- Installers must be trained and qualified technicians.
- **Important:** All wiring must be compatible with applicable codes, ordinances, and instructions.

Calibration

The power supply is factory calibrated to meet or exceed published specifications. If adjustment is necessary, follow these steps:

1. Connect the appropriate line voltage to the power supply.
2. Connect the [+] lead of an accurate voltmeter to the output [+] terminal, and connect the [-] lead to the output [-] terminal.
3. Adjust trimmer [T1] to obtain the desired output voltage of 5.0 to 25.0 VDC. See Figure 2.

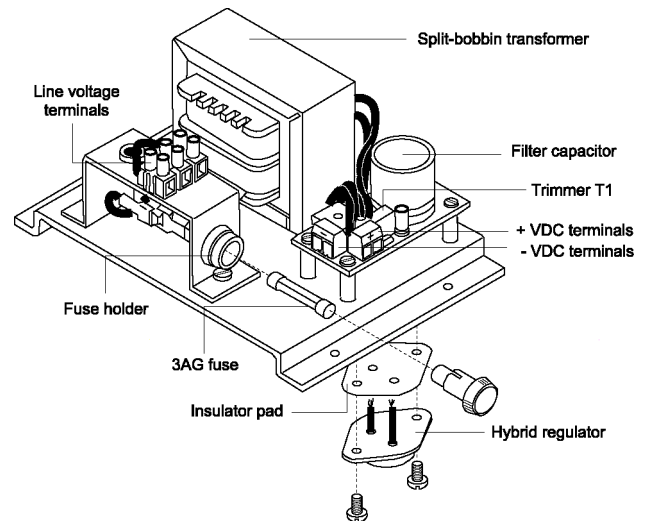


Figure 2. Power Supply Components

Warranty

See the accompanying data sheet for additional information.

Copyright © Mamac Systems 2003. All rights reserved.
 Mamac Systems reserves the right to change any specifications without notice to improve the performance, reliability, or function of our products.